

SRB45 Performance

Standard equipment

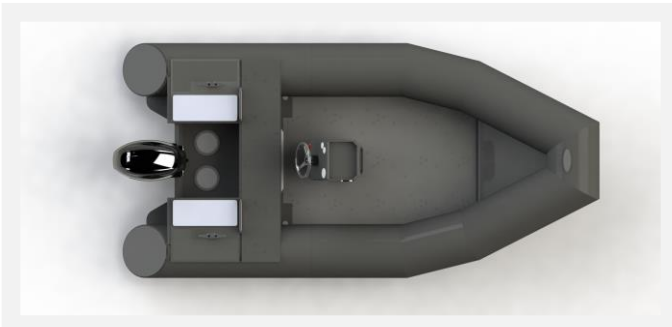
- Console
- Non-slip deck
- Self-draining deck with drainage sleeves
- Deck drainage holes with plugs
- Seat with storage compartment
- Keel protect with stainless steel flat bar
- Electric automatic bilge pump
- 60L fuel tank
- Fuel level indicator
- Main power switch
- Electrical distribution panel with fuses
- Fuel separator
- Mechanical steering system
- Cleats

Optional equipment

- Navigation lights
- Search lights
- Console windshield with railing
- Jockey seat
- Bow locker
- Stainless steel rear fame
- Hydraulic steering system
- Bow step with anchor roller
- Stern steps integrated in tubes
- Side non-slip seats with hand holders
- Stern foldable ladder
- Side railings
- T-Top
- Rescue equipment and light
- 12V Battery
- ABC Fire extinguisher
- Custom options on request

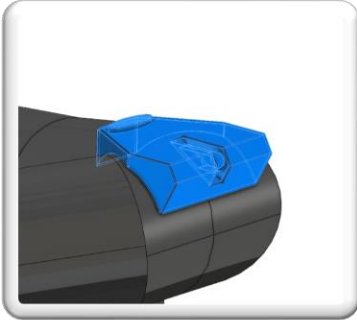
Specification

Length	4,5m
Beam	2,2m
Draft	0,45m
Weight excl. Engine	460kg
Passengers	7
Category	C
Max. load	845kg
Outboard engine	50-90HP
Material	HDPE

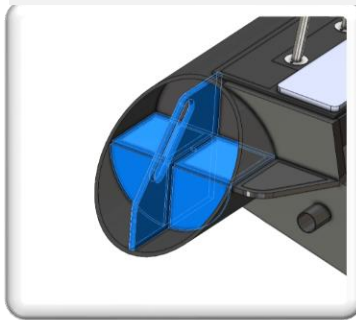


Optional hull features

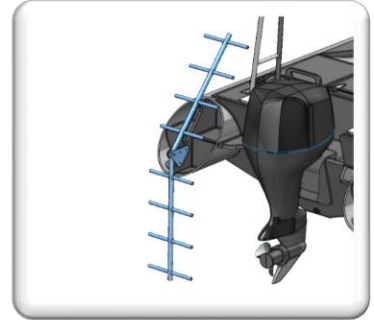
Bow step with anchor roller



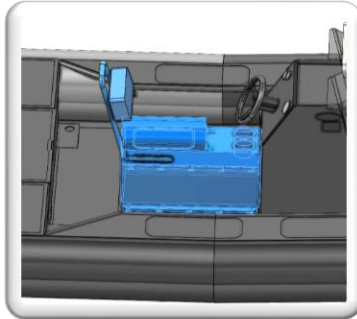
Stern steps



Foldable stern ladder



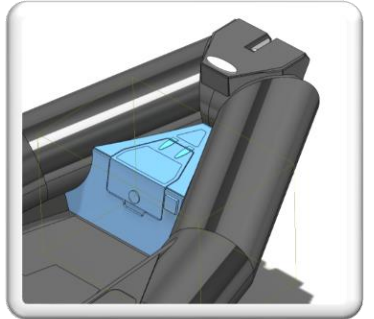
Jockey seat single



Frame with back rest



Bow locker



Rear frame w/o back rest



Rear frame with back rest



Pilot seat



Windshield with railing



Side non-slip seats



Side railings

