

## SRB60 Performance

### Standard equipment

- Console
- Non-slip deck
- Self-draining deck with drainage sleeves
- Deck drainage holes with plugs
- Seat with storage compartment
- Keel protect with stainless steel flat bar
- Electric automatic bilge pump
- 60L fuel tank
- Fuel level indicator
- Main power switch
- Electrical distribution panel with fuses
- Fuel separator
- Mechanical steering system
- Cleats

### Optional equipment

- Navigation lights
- Search lights
- Console windshield with railing
- Jockey seats
- Bow locker
- Stainless steel rear fame
- Hydraulic steering system
- Bow step with anchor roller
- Stern steps integrated in tubes
- Side non-slip seats with hand holders
- Stern foldable ladder
- Side railings
- T-Top
- Orthopedic board holders
- Rescue equipment and light
- 12V Battery
- ABC Fire extinguisher
- Custom options on request

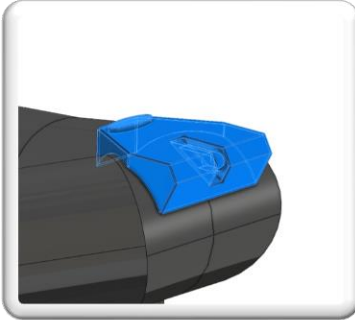
### Specification

Length	5,83m
Beam	2,2m
Draft	0,45m
Weigth excl. Engine	650kg
Passengers	10
Category	C
Max. load	1390kg
Outboard engine	60-150HP
Material	HDPE

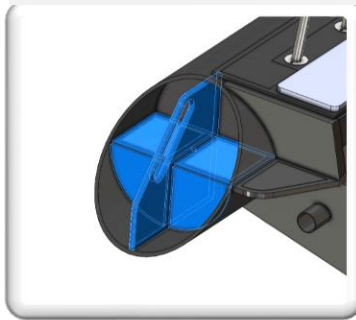


## Optional hull features

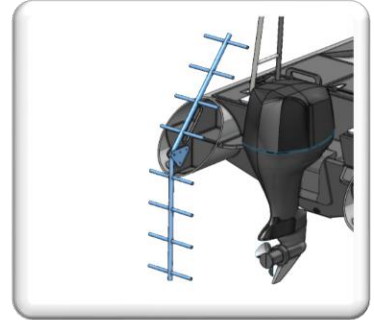
Bow step with anchor roller



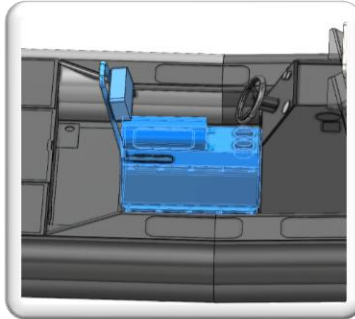
Stern steps



Foldable stern ladder



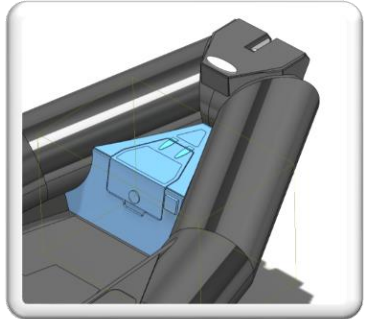
Jockey seat single or double



Frame with back rest



Bow locker



Rear frame w/o back rest



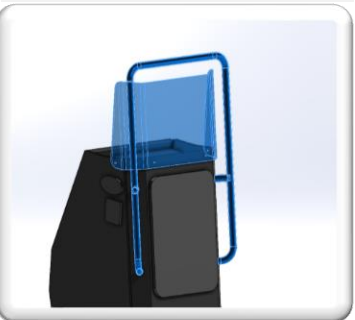
Rear frame with back rest



Pilot seat



Windshield with railing



Side non-slip seats



Side railings

